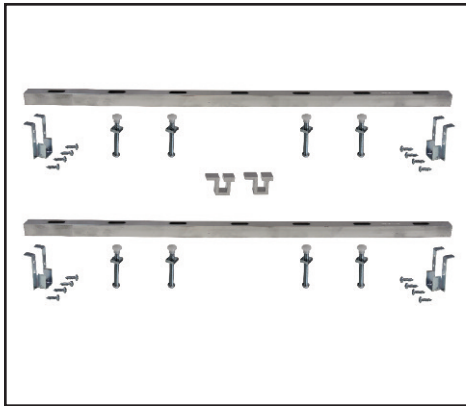


ROHL

Authentic Luxury for Kitchen and Bath™

www.rohlhome.com



Allia Undermounting Kit for 6317/6327/6307/5927/6337

Kitchen Sinks

QN25UM (For 22" x 33" Sinks)

QN36UM (For 36" Sinks)

FEATURES

QN25UM

- 25" Undermount system
- Allows easy undermount installation of all Allia kitchen and bar/food prep sinks
- Adjusts to fit cabinet size, can be cut down to size
- Leveling bolts included
- Use with granite or solid surface countertop materials
- No need for wood supports
- Removable
- Not designed for UM3018 sink
- Must order two units to undermount 6737 sink

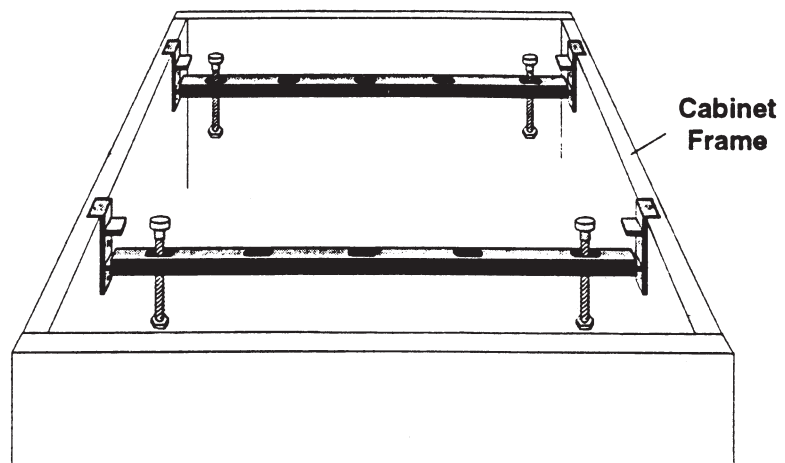
QN36UM

- 36" Undermount system—depends on cabinet

WARRANTY

- 1 year on manufacturer defects

Not for use with Shaws sinks



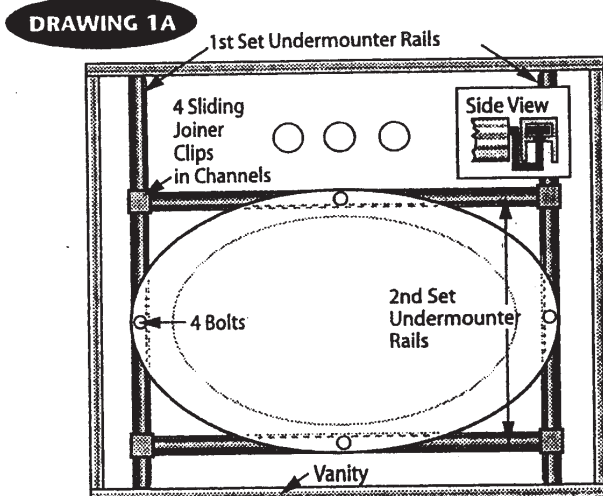
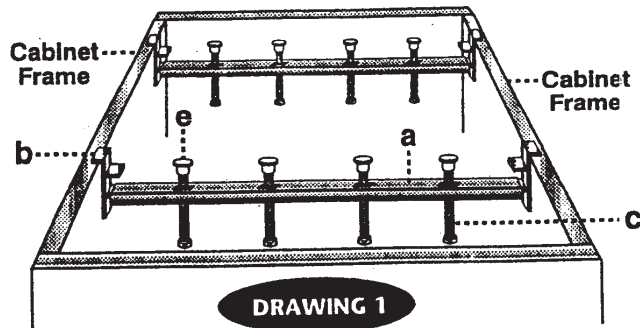
Consult your local ROHL showroom for additional information and specifications. For complete warranty details and a list of showrooms, go to www.rohlhome.com.

QN25UM & QN36UM Installation Instructions

1 Identify parts.

This pack includes:

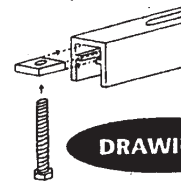
- a) 25", 36", or 50" rail (2 each)
- b) Mounting clips (4 each)
- c) 2" adjusting bolts (8 each)
- d) Nuts (8 each)
- e) Plastic bolt caps (8 each)
- f) Wood screws (8 each)
- g) Joiner clips (2 each)
For ovals and rounds, 2 sets required.
(See Drawing 1A) Discard if not using.



Two Undermounter packages are needed for ovals and rounds.

- 2 If needed, cut (with hacksaw) the Undermounter rails 3/8" less than the length of the inside of the cabinet. (For round and oval installations: cut 2nd set of rails the necessary distance between the 1st set.)

- 3 Screw adjusting bolts into nuts 2 turns and then slide nuts into rail. Slide into position in desired openings of rail. See Drawing 2.



- 4 Determine exact location where Undermounter is to be installed in cabinet. Make sure Undermounter adjustment bolts come into contact with the underside of the sink ledge. Determine exact location where mounting clips will be installed. Mark on cabinet frame where holes in clip are located. Drill starter holes where marked.

*Note: Depending upon fabrication of countertop, top of mounting clip may need to be notched into top of cabinet frame.

- 5 Screw mounting clips to sides of cabinet frame.

- 6 Lower rail onto mounting clip arms. Use either arm depending upon the thickness of the sink ledge.

*Note: If rail is to be installed on lower arms, it may be necessary to cut off the top arm to avoid interference with the sink.

- 7 Slip bolt caps onto end of bolts.

- 8 Carefully lower the sink onto the Undermounter.

- 9 Use adjustment bolts to raise and level the sink flush with the underside of the countertop.

*Note: Caulk should be used where sink comes into contact with underside of the countertop.

