



## FLOOR PILLAR LEGS

ROHL Country Bath Arcana  
 ROHL Italian Country Bath Collection  
 ROHL Modern Collection

## ZA383

### FEATURES

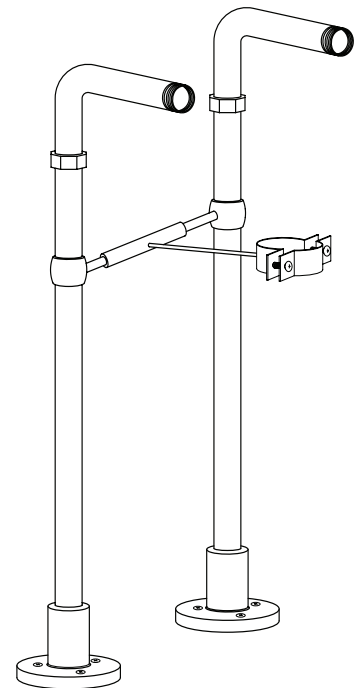
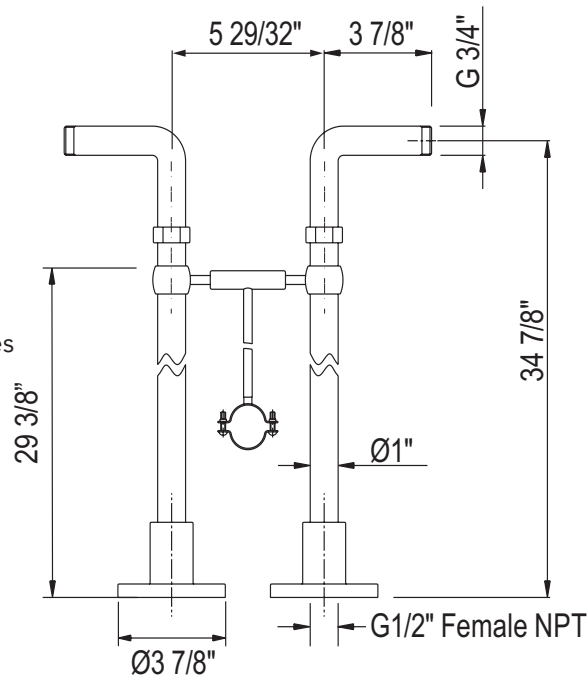
- For floor applications
- 34 7/8" height
- For exposed tub fillers
- Not eccentric - fixed center to center measurement
- Cannot be cut down
- Installation of provided support bracket not required
- 1/2" female inlet connection
- Maximum male stub-out 9/16"
- Spout outlet height 30 1/2" when used with A1401, A2101, A1701, or A2701
- Spout outlet height 30 5/16" when used with A1901
- Spout outlet height 30 3/8" when used with AC7X
- Spout outlet height 32 1/4" when used with BA7
- 5 29/32" center - to - center supplies
- **Must order C5574EXT adaptor when used with A1401, A1701, A1901, A2701, A1801 or A2101**

### COLORS/FINISHES

- Polished Chrome
- Polished Nickel
- Satin Nickel
- Tuscan Brass
- Inca Brass
- Old Iron

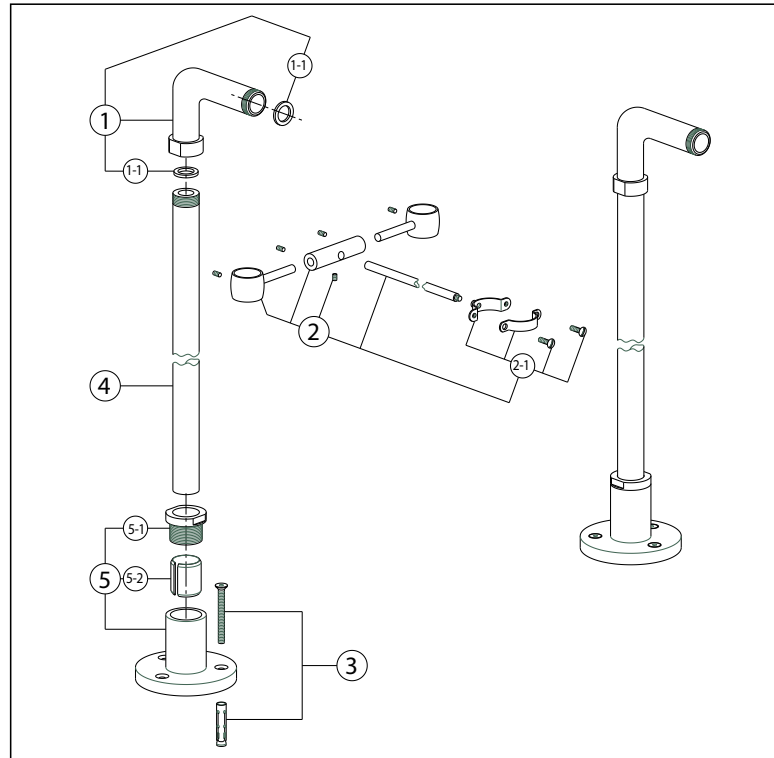
### WARRANTY

- Limited Lifetime\*
- \* No Warranty on Tuscan Brass finish (TCB)



## ZA383 SPARE PARTS

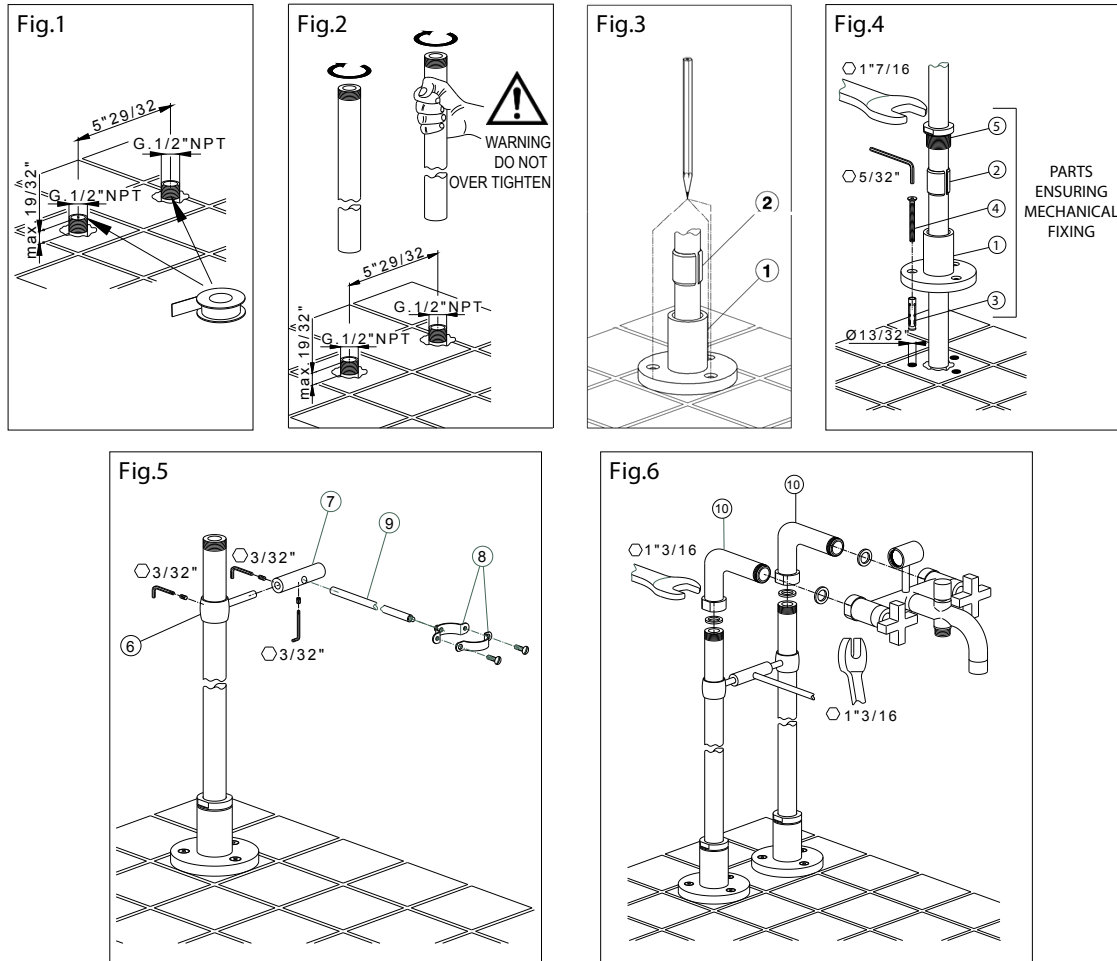
### SPARE PARTS FOR ZA 383 FLOOR LEGS



POS.	DESCRIPTION	CODE
1	90° union pillar leg	ZZ 93750 0
1-1	Gasket NBR 90 SH. 24x16x2,7	ZZ 92689 0
2	Waste tube connection	ZZ 94083 0
2-1	Waste tube connection	ZZ 94127 0
3	Installation set	ZZ 94343 0
4	G1/2" NPT floor pillar leg	ZZ 94355 0
5	Base for floor pillar leg	ZZ 94356 0
5-1	Fixing ring	ZZ 94357 0
5-2	Cut bush	ZZ 94358 0

## INSTALLATION INSTRUCTIONS

### ASSEMBLY INSTRUCTIONS FOR ART. ZA10383



**Installation requirements: 2 x 1/2" NPT male stub outs at 5 29/32" centers**

Please note: if installing with an Italian Country Bath exposed tub filler you must install a set of adaptors, C5574EXT

**Fig.1** Apply Teflon tape to the male connection.

**Fig.2** Hand tighten, then turn with a strap wrench 1/2 to 3/4 turn to make a seal.

**WARNING: Do not over tighten. Over tightening could cause the brass to crack.**

**Test for leaks before installing floor escutcheons.**

Please note that the threaded connection only ensures hydraulic water tightness, please note that mechanical fixing of floor legs is ensured by the whole part assembly of components listed as 1-2-3-4-5 in Picture4.

**Fig.3** Slide on base escutcheons (1) and the cut bushings (2).  
Mark the screw holes for drilling.

**Fig.4** Drill a hole using a 13/32" drill and install floor anchors (3).  
Slide the base escutcheons (1) to the floor, align with holes and tighten allen screws (4) using a 5/32" wrench.  
Insert the cut bushings (2) into the base escutcheons (1) and slide on the threaded ring (5), tighten using a 1 7/16" wrench.

**Fig.5** Install waste tube connection rings (6) into the horizontal sleeve (7) and slide onto pillar legs  
Screw the clamp (8) to the rod (9) and install the clamp with the rod (8 & 9) onto the horizontal sleeve (7)  
Use the clamp to anchor the frame to the overflow pipe of the tub drain  
Square off the installation and tighten allen screws using a 3/32" wrench.

**Fig.6** Install elbow unions (10) to pillar legs, using a 1 3/16" wrench, ensuring that all washers create a seal.  
Install tub faucet to elbow unions using a 1 3/16" wrench, ensuring all washers create a seal

Cod. 0101034000 Ed.08.14