



Wall Mounted Gotham Spout

Michael Berman Bath Collection

MB1930LM* (Metal Levers)

MB1930XM* (Cross Handles)

FEATURES

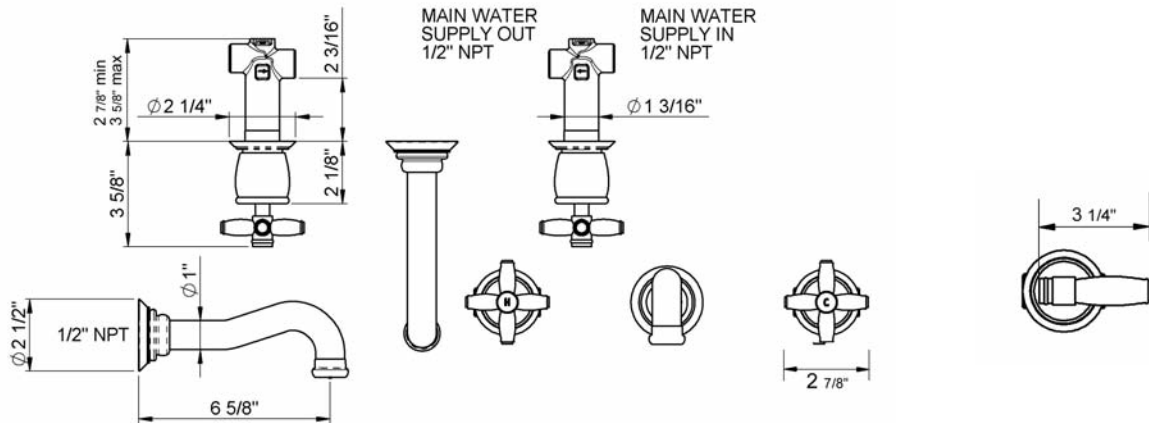
- 1/2" female NPT wall valves
- 1/2" female NPT spout connection
- 6 5/8" spout reach
- 1/4 turn ceramic disc valves
- 3 x 1 3/8" hole cutouts
- Lever handles, or cross handles
- MB1946 remote pop-up waste available separately
- Extension kits available:
3/4" R4588750 set of 2
1 1/2" R4588760 set of 2

COLORS/FINISHES

- Polished Chrome
- Polished Nickel
- Satin Nickel
- Tuscan Brass
- Inca Brass

WARRANTY

- Limited Lifetime*
- * No Warranty on Tuscan Brass Finish (TCB)



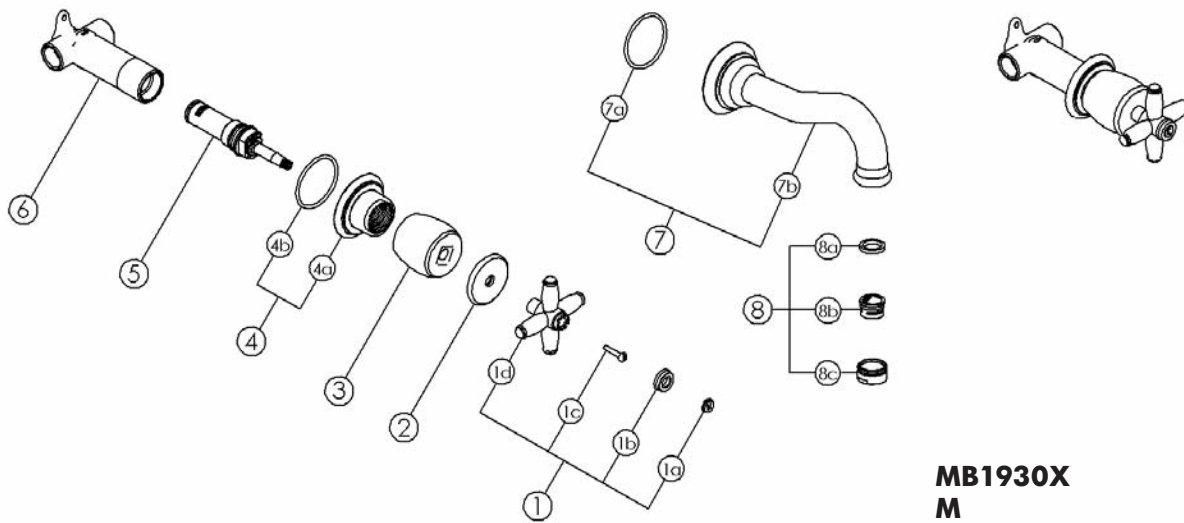
MB1930XM

MB1930LM

* For CA/VT, place a "2" at end of model number for code compliant product. (Example A3608LMAPC-2)

Consult your local Rohl showroom for additional information and specifications. For complete warranty details and a list of showrooms, go to www.rohlhome.com.

MB1930XM-2 Spare Parts

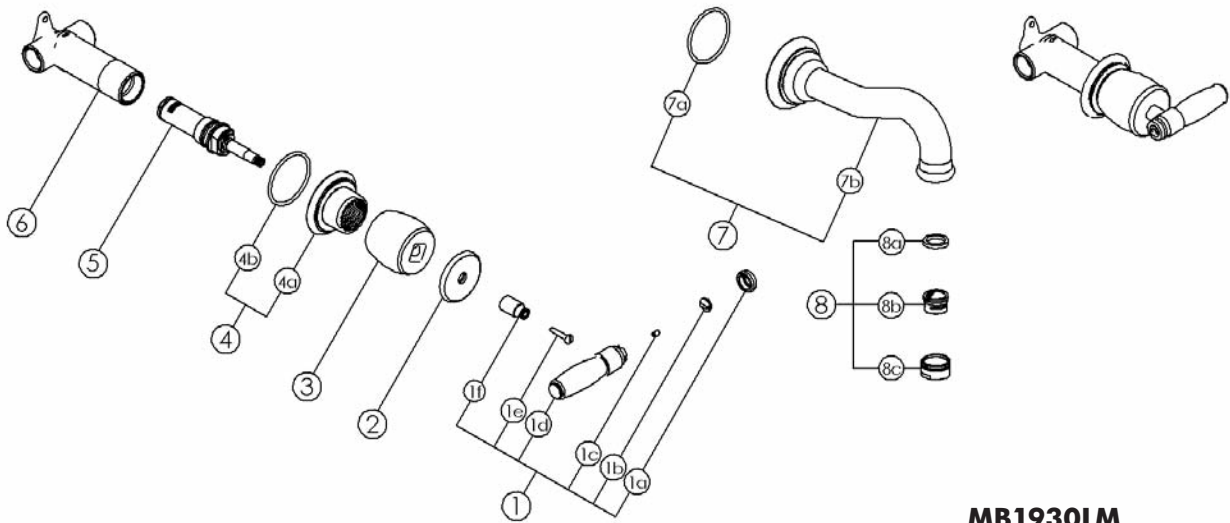


**MB1930X
M**

Item	Description	Part No
1	Cross handle HOT (complete)	R94584601*
1	Cross handle COLD (complete)	R94584602*
1a	Indicator cap COLD	R9458430C*
1a	Indicator cap HOT	R9458430H*
1b	Indicator cap retaining ring	R9458850*
1c	M4 x 6 grub screw	R942765
1d	Cross handle	R94584610*
2	Handle shroud top	R9458340*
3	Handle shroud lower	R9458330*
4	Escutcheon (complete with 'O' ring)	R9431400*
4a	Escutcheon	N/A
4b	A-132 'O' ring	R9200132
5	Ceramic cartridge assembly 1/2" HOT	R94006941
5	Ceramic cartridge assembly 1/2" COLD	R94006942
6	Wall mounted volume control 1/2" body	R945816
7	Wall mounted lavatory faucet Gotham spout (complete with aerator and 'O' ring)	R9458540*
7a	A-134 'O' ring	R9200134
7b	Wall mounted lavatory faucet Gotham spout	N/A
8	Aerator complete	R942665*
8a	Flat washer	N/A
8b	2.2gpm aerator insert includes flat washer	R9452665
8c	Aerator cone	N/A
*	Items available in Polished Chrome, Polished Nickel, Satin Nickel, Tuscan Brass, Inca Brass	

N/A means you don't need a part number because it's incorporated in the larger assembly.

MB1930LM-2 Spare Parts



MB1930LM

Item	Description	Part No
1	Wall mounted lever handle HOT (complete)	R94583901*
1	Wall mounted lever handle COLD (Complete)	R94583902*
1a	Indicator cap retaining ring	R9458850*
1b	Indicator cap COLD	R9458430C*
1b	Indicator cap HOT	R9458430H*
1c	M4 x 6 grub screw	R942765
1d	Wall mounted lever handle no markings	R9458390*
1e	M4 x 20 handle screw	R942673
1f	Handle spacer	R9458440*
2	Handle shroud top	R9458340*
3	Handle shroud lower	R9458330*
4	Escutcheon (complete with 'O' ring)	R9431400*
4a	Escutcheon	N/A
4b	A-132 'O' ring	R9200132
5	Ceramic cartridge assembly 1/2" HOT	R94006941
5	Ceramic cartridge assembly 1/2" COLD	R94006942
6	Wall mounted volume control 1/2" body	R945816
7	Wall mounted lavatory faucet Gotham spout (complete with aerator and 'O' ring)	R9458540*
7a	A-134 'O' ring	R9200134
7b	Wall mounted lavatory faucet Gotham spout	N/A
8	Aerator complete	R942665*
8a	Flat washer	N/A
8b	2.2gpm aerator insert includes flat washer	R9452665
8c	Aerator cone	N/A
* Items available in Polished Chrome, Polished Nickel, Satin Nickel, Tuscan Brass, Inca Brass		

N/A means you don't need a part number because it's incorporated in the larger assembly.