



Pressure Balance Rough Without Diverter

ROHL Shower

R2012C

FEATURES

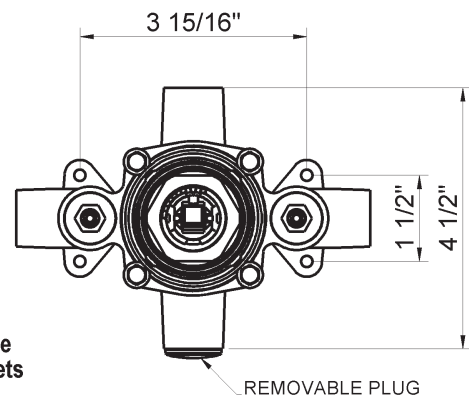
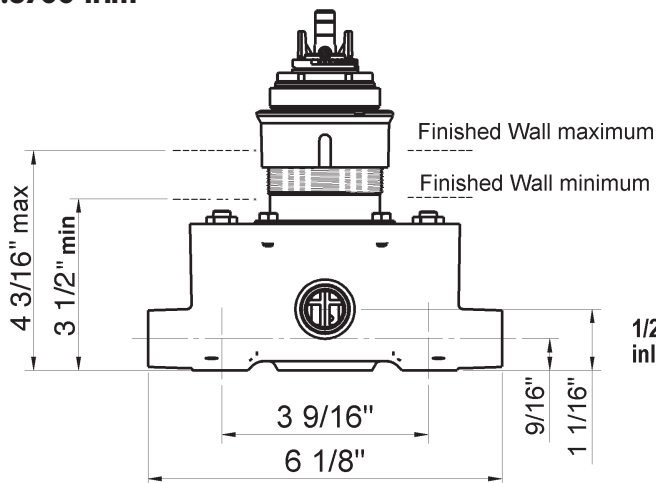
- 8-9 GPM @ 60 PSI
- Unique volume control with pressure balance
- Integrated stops
- Max. temperature limiter
- Min. install depth: 3 1/2"
- Max. install depth: 4 3/16"
- If using R2012C with a wall mounted tub spout with diverter, a twin ell may be needed by the installer
- **To complete package order R2013, MB1938, A6400, A6500, ARB6400, AC600, BA600, WA600, U.6000, or U.6700 trim**

COLORS/FINISHES

- Rough Only

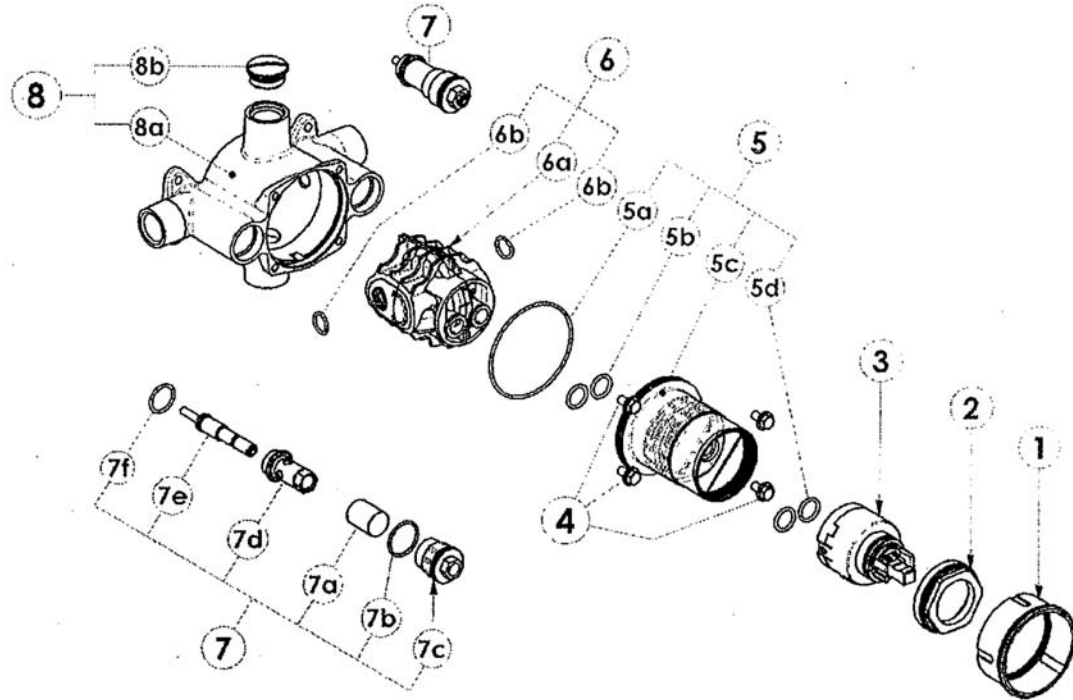
WARRANTY

- Limited Lifetime



1/2" NPT female inlets and outlets

R2012C Spare Parts



No	DESCRIPTION	ROHL NUMBER
1	Faceplate Nut	R945440
2	Threaded Ring Nut	R946454
3	Pressure balance flow control cartridge	R9260912
4	Flanged bolt set of 4	R945554
5	Upper body complete	R9551560
5a	A-036 'O'ring	R9200036
5b	12 x 2 metric 'O' ring set of 4	R920122
5c	Upper body	N/A
6	Equalizer cartridge complete with 'O' rings tapered	R9501250
6a	Equalizer cartridge assembly	N/A
7	Filter stop valve assembly	R943200
7a	Filter element	R945250
7b	A-018 'O' ring	R9200018
7c	filter stop head	R943202
7d	Filter stop housing	R943201
7e	Filter stop spindle	R943200
7f	A-016 'O' ring	R9200016
8	Pressure balance without diverter body	R9556270
8a	Pressure balance without diverter body only	N/A
8b	Blanking plug	R9455630

Available Extension/Reduction Kits available

¼" Reduction kit R9035130

¾" Extension kit R9035030