



Pressure Balance Rough With Diverter

ROHL Shower

R2014C

FEATURES

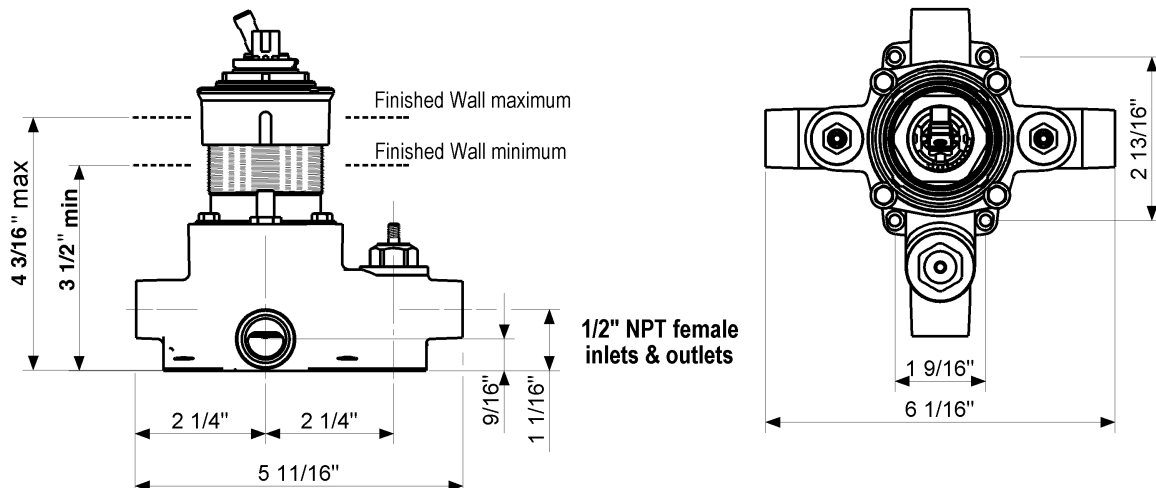
- 8-9 GPM at 60 PSI
- Unique volume control with pressure balance
- Integrated stops
- Max. temperature limiter
- Min. install depth: 3 1/2"
- Max. install depth: 4 3/16"
- Push - pull diverter with positive shutoff allows for handshower and shower installation without need for custom plumbing
- **To complete package order R2015, MB1939, A7400, A7500, ARB7400, AC700, BA700, WA700, U.7000, or U.7700 trim**

COLORS/FINISHES

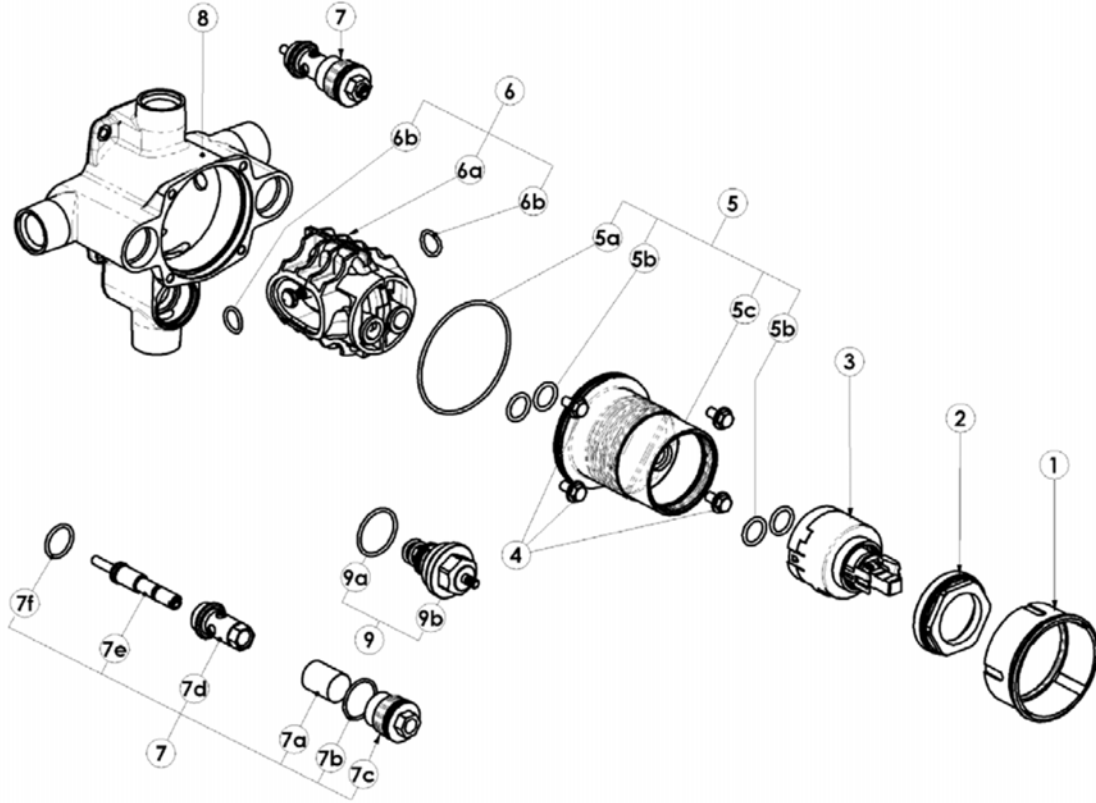
- Rough Only

WARRANTY

- Limited Lifetime



R2014C Spare Parts



No	DESCRIPTION	ROHL NUMBER
1	Faceplate Nut	R945440
2	Threaded Ring Nut	R946454
3	Pressure balance flow control cartridge	R9260912
4	Flanged bolt set of 4	R945554
5	Upper body complete	R9551560
5a	A-036 'O'ring	R9200036
5b	12 x 2 metric 'O' ring set of 4	R920122
5c	Upper body	N/A
6	Equalizer cartridge complete with 'O' rings tapered	R9501250
6a	Equalizer cartridge assembly	N/A
7	Filter stop valve assembly	R943200
7a	Filter element	R945250
7b	A-018 'O' ring	R9200018
7c	filter stop head	R943202
7d	Filter stop housing	R943201
7e	Filter stop spindle	R943200
7f	A-016 'O' ring	R9200016
8	Pressure balance diverter body	R9557270
9	Diverter assembly	R9400464
9a	A-021 'O' ring	R9200021
9b	Diverter assembly body	N/A

Available Extension/Reduction Kits available

¼" Reduction kit R9035130

¾" Extension kit R9035030