



Shaws Original Single-Bowl Fireclay Apron Sink

ROHL Kitchen Sinks

RC3018

FEATURES

- Acid and alkali resistant glazed surfaces
- Designed to withstand heavy use
- No overflow
- Suitable for waste disposal units* or basket strainer waste
- Offset drain opening
- Standard 3 1/2" drain opening
- Due to $\pm 2\%$ dimensions, it is recommended that the cabinet maker wait until your sink is delivered to make the cabinet
- Includes "Shaws Original" badge
- Weight 161 lbs.

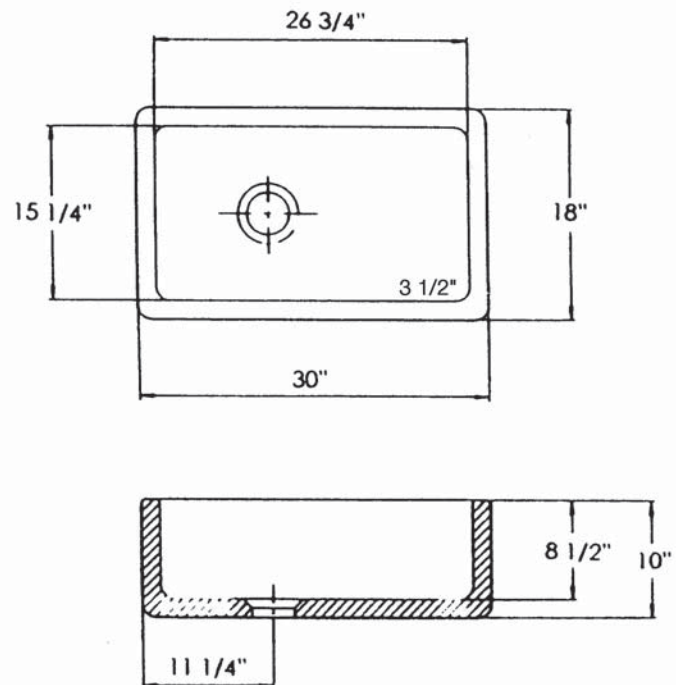
*NOTE: Due to sink thickness, ISE-type Disposal with Extended Flange #ISE10082 or ROHL 733 Basket Strainer is recommended

Colors

- White
- Biscuit

WARRANTY

- 1 year on manufacturing defects
- 10 years on fading/staining



Shaw's Original Fireclay Apron Sink

ROHL Kitchen Sinks

There is no recommended method of fitting a Shaws Original Sink.

Because of the plus or minus 2% dimension possibility of a hand made product, it is recommended that the cabinet maker wait until your sink is delivered to make the cabinet or counter top. There is no standard fitting framework or support brackets. The cabinet should be reinforced to hold a 135 lb. to 175 lb. sink, plus the weight of water. Typically, this involves a timber supporting frame with 3/4" plywood deck, or even brick plinth; suitably sized to satisfy the specific requirements. The apron is usually extended 1" to 2" from the front of the cabinet. We see the sink under mounted under the counter top material most of the time, but it can be flush mounted or even raised above the counter top. Historically, the fitting of fireclay sinks was dictated by the site and usage requirements, with the plumber/installer making the necessary provisions to support the sink.