



Exposed Floor Mount Tub Filler With Cross Handles

ROHL Perrin & Rowe Bath

U.3526X

FEATURES

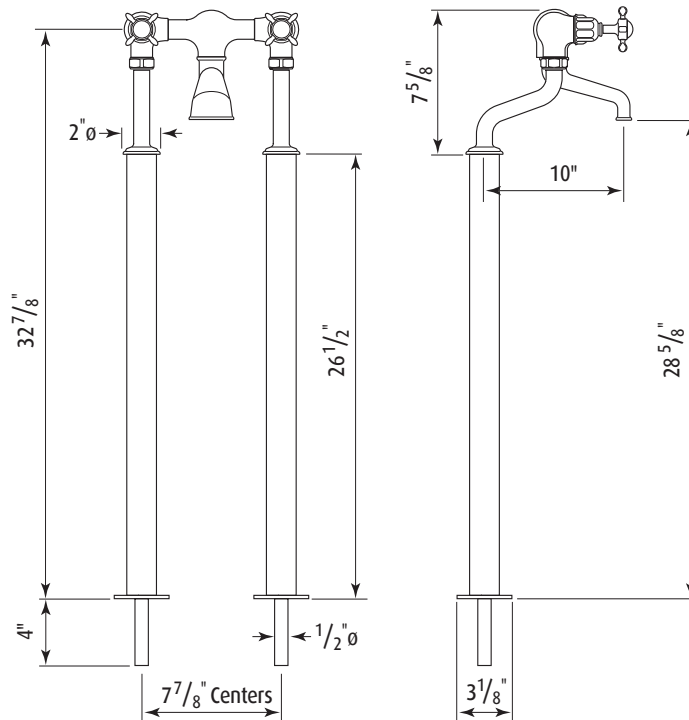
- Spout, valve, and handles made from solid brass
- 1/4 turn ceramic disc valves
- Unique handle fixing clip, engineered to increase the life of the valve
- 3/4" inlets
- 19 GPM at 40 PSI

FINISHES

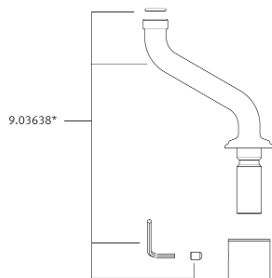
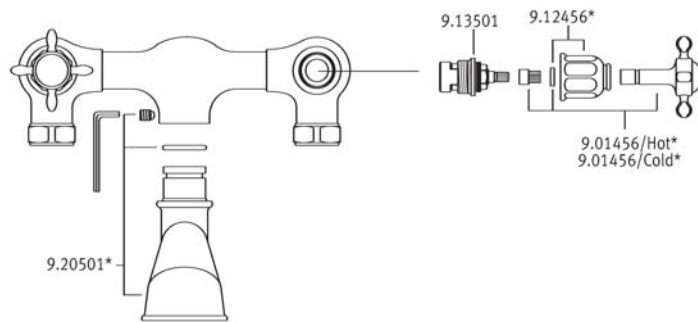
- Polished Chrome
- Polished Nickel
- Satin Nickel
- Inca Brass
- English Bronze

WARRANTY

- Limited Lifetime



U.3526X Spare Parts



9.24811*
(set of 4)

