



## Octagonal Concealed Thermostatic Trim with Lever Handles

ROHL Perrin & Rowe Bath

### U.5555L-(Finish)/TO

#### FEATURES

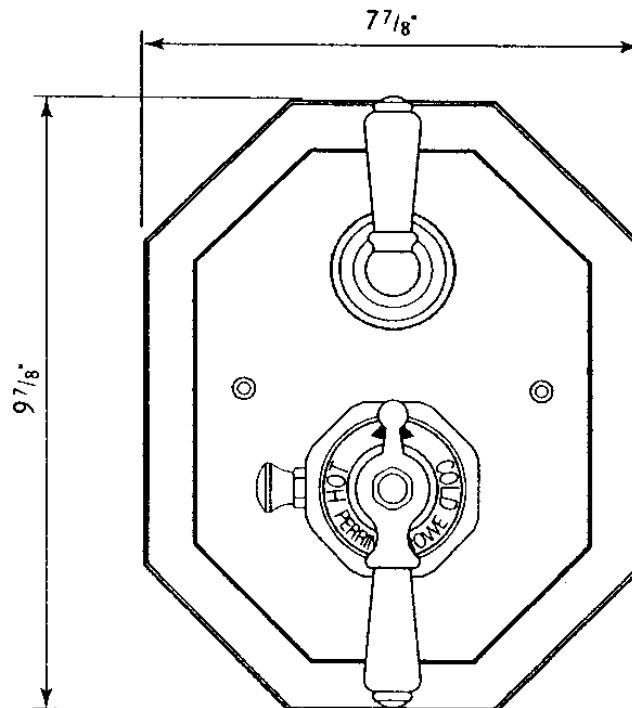
- Octagonal trim plate, volume control , and temperature control for U.5555BO concealed thermostatic valve
- Use upper outlet to diverter U.5562BO for multiple functions
- Includes both porcelain and metal lever inserts
- **Must order U.5555BO to complete**

#### COLORS/FINISHES

- Polished Chrome
- Polished Nickel
- Satin Nickel
- Inca Brass
- English Bronze

#### WARRANTY

- Limited Lifetime



## U.555L/TO Spare Parts

