



## 4-Port, 3-Way Diverter Rough

ROHL Perrin & Rowe Bath

## U.5562BO

### FEATURES

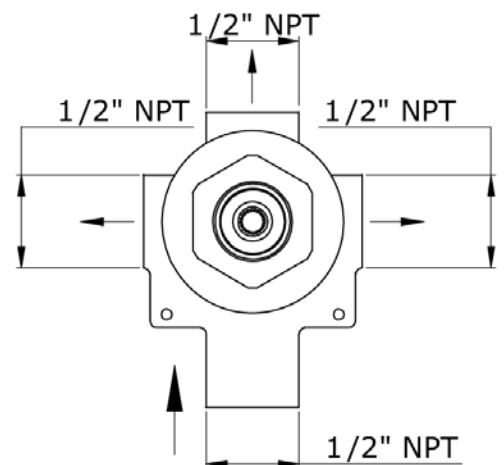
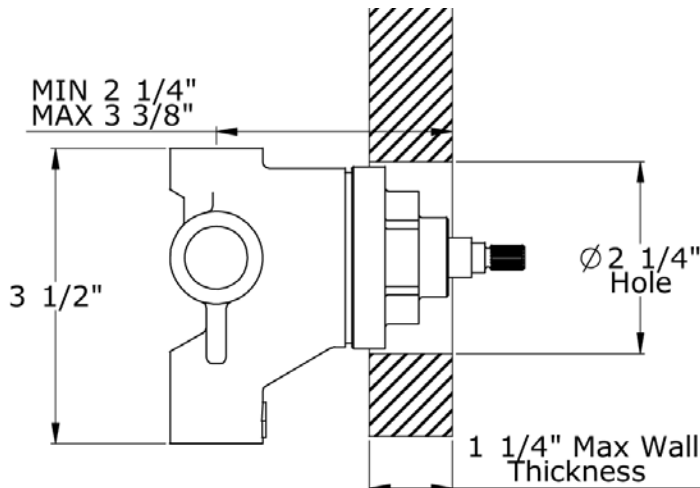
- 1 inlet, 3 outlets
- 1/2" NPT inlet
- 3 x 1/2" NPT outlet
- Minimal flow restriction
- Flow can be split between adjacent outlets
- Up to 16 GPM flow
- **Must order U.5542L/TO trim or U.5543X/TO trim to complete**

### COLORS/FINISHES

N/A

### WARRANTY

- Limited Lifetime



**U.5562BO Spare Parts**

