



WAVE 3-Hole Deck Mounted Bathtub Filler with Lever Handles

ROHL Modern Bath

WA25L

FEATURES

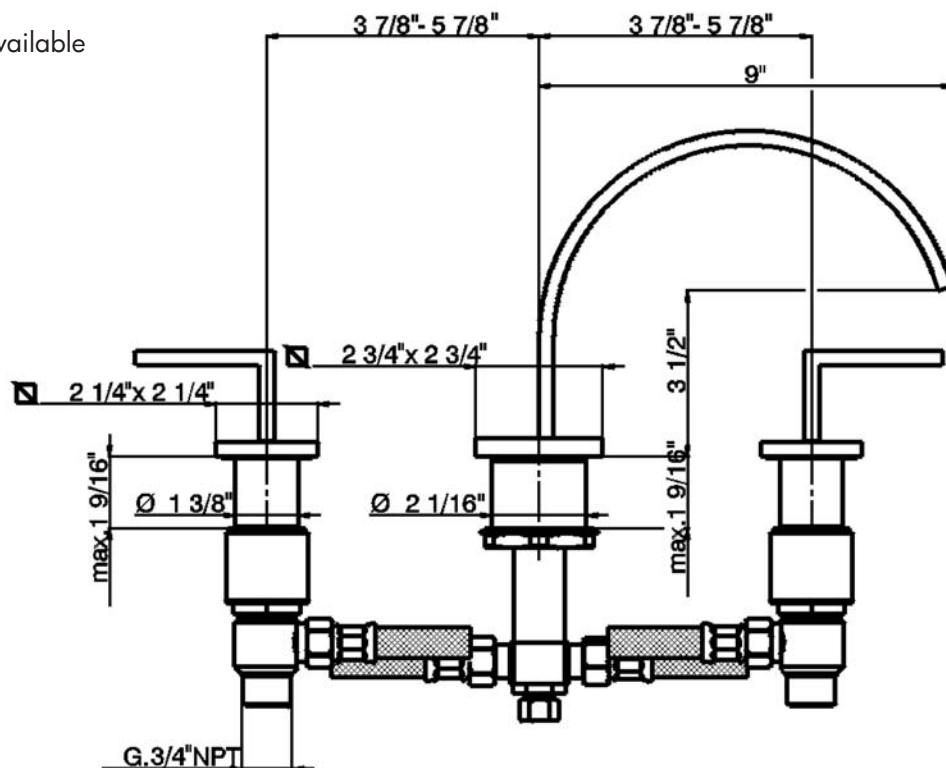
- 3-hole bathtub filler
- Lever handles only
- 2 x 1 3/8" hole cutouts, 1 x 2 1/16" hole cutout
- 8 27/32" fixed spout reach
- Ceramic disc valves, 1/4-turn
- Spout and valve housing made of solid brass
- 3/4" sidevalves
- Polished Nickel not available

COLORS/FINISHES

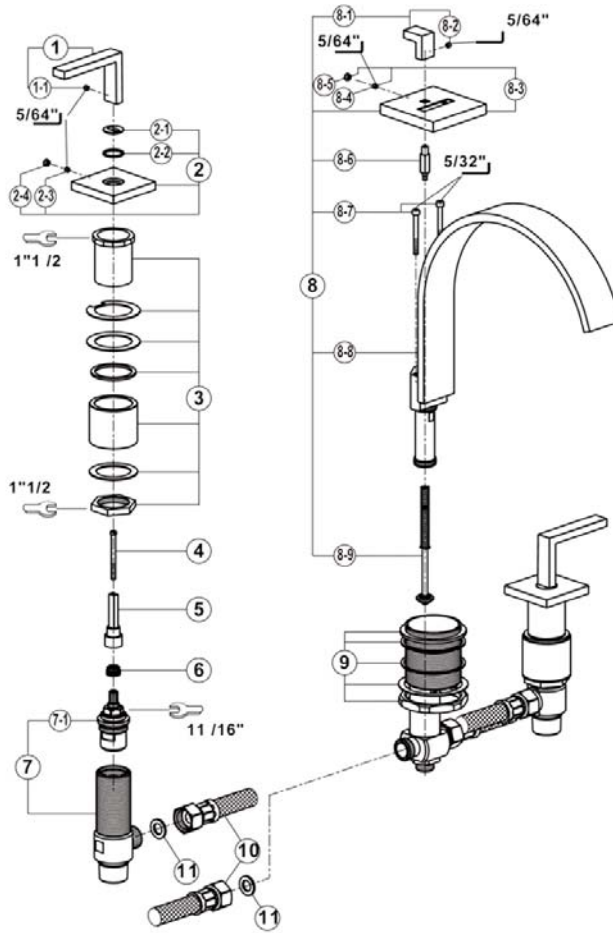
- Polished Chrome
- Satin Nickel

WARRANTY

- Limited Lifetime



WA25L Spare Parts



POS.	DESCRIPTION	CODE
1	Handle "WA" for cold water	ZZ 94710 0
1-1	Screw stainless steel M.4	ZZ 93328 0
1	Handle "WA" for hot water	ZZ 94706 0
1-1	Screw stainless steel M.4	ZZ 93328 0
2	Escutcheon for basin mixer	ZZ 94703 0
2-1	Hole covering plate	ZZ 94705 0
2-2	Plastic ring	ZZ 94704 0
2-3	Screw stainless steel M.4	ZZ 93328 0
2-4	Hole covering cap	ZZ 93371 0
3	Installation set for deck mounted bath mixer	ZZ 94928 0
4	Screw M.4x45	ZZ 94733 0
5	Screw M.4x45	ZZ 94733 0
6	Complete broached reduction piece	ZZ 93330 0
7	Tail piece G.3/4" for hot water	ZZ 94929 0
7-1	Ceramic headvalve G.3/4" for hot water	ZZ 94251 0
7	Tail piece G.3/4" for cold water	ZZ 94930 0
7-1	Ceramic headvalve G.3/4" for cold water	ZZ 94252 0
8	Complete spout bath mixer with diverter	ZZ 94931 0
8	Complete spout bath mixer without diverter	ZZ 94932 0
8-1	Knob for diverter	ZZ 94933 0
8-2	Screw stainless steel M.4	ZZ 93328 0
8-3	Escutcheon for spout bath mixer with diverter	ZZ 94934 0
8-3	Escutcheon for spout bath mixer without diverter	ZZ 94935 0
8-4	Screw stainless steel M.4	ZZ 93328 0
8-5	Hole covering cap	ZZ 93371 0
8-6	Extension for diverter	ZZ 94936 0
8-7	Screw M.4x40	ZZ 94937 0
8-8	Spout bath mixer with diverter	ZZ 94938 0
8-8	Spout bath mixer without diverter	ZZ 94939 0
8-9	Diverter for bath mixer	ZZ 94940 0
9	Installation set for deck mounted spout	ZZ 94941 0
10	Flex 1/2" x 1/2"	ZZ 93077 0
11	Gasket rubber 18.5x11x2	ZZ 92714 0